



multiload

Rotary Push-switch Wall Dimmer RPS

1-10V dimming and mains switching rotary module
to fit into plates and grid systems

Contents

Technical specification and installation	2
Related product options	3
Wiring diagrams	
One-way switching and dimming of drive units	3
Two-way switching and dimming of drive units	4
Individual switching and dimming of drive units	4
Wired to LEDrose LDR100	5

Product order codes

RPS1

Mains switching and 2-wire control
of a single drive unit

RPS2

Mains switching and 2-wire control
of between 2-20 drive units

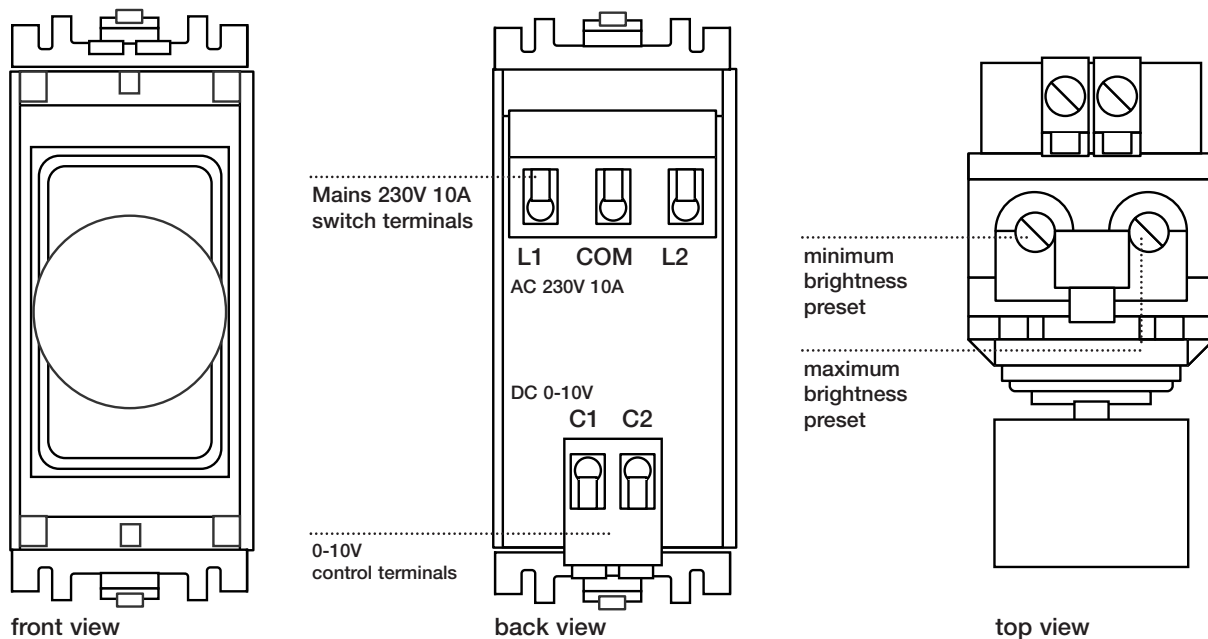
For use with VoltMaster only

RPS3

3-wire potentiometer control
See VoltMaster TechPack



Technical specification and installation



Modules can be supplied to fit wall plates and grid systems from UK wall-plate manufacturers. Contact Multiload on +44(0)20 7794 9152 to ensure compatibility with specified plate type and finish. Shown above is module supplied for fitting into MKGridPlus.

RPS1

1-10V dimming and mains switching of a single lighting drive such as LED drivers and fluorescent ballasts

RPS2

1-10V dimming and mains switching of between 2 to 20 lighting drives such as LED drivers and fluorescent ballasts

Technical specification

Mains voltage: AC 230V +/- 10% (protect by 10A MCB)

Mains output: switched mains output – 3-wire terminal for change-over switching

Signal output: 1-10V DC (sink current capability only, allowing use with standard drives, such as LED drivers, fluorescent ballasts or other 1-10V drive units)

Mains switching: 10A (resistive). The number of drives that can be switched is determined by the current draw of the drives – up to a total maximum of 10A.

Isolation: signal circuitry and terminals are isolated from mains circuitry and terminals (SELV)

Dimensions:

MK module L:50mm W:25mm D:30mm
 Knob Diam: 20mm H:13mm
 Fixing: Bush M10
 Shaft:6mm

Environmental specification

Temperature range: -10°C – +50°C

Maximum humidity: Less than 95% non-condensing

Installation and set up procedure

Installation should be carried out by suitably qualified personnel in accordance with good electrical practice and the appropriate national wiring regulations.

Switch off mains electrical supply before commencing installation.

Protective earth (PE) must be connected for metal back plates, and when standards dictate.

The device may be used for permanent interior installations in dry locations with suitable surface plates fitted.

Terminals C1 (-ve 0V) C2 (+ve 0-10V)

Low voltage 2-wire 0-10V analogue control by rotation of the control knob. The module can be wired to a large number of LED drivers or fluorescent ballasts or other 0-10V controlled drive units without an effect on brightness if some drive units are switched on/off by the mains.

Mains switching – multi-way

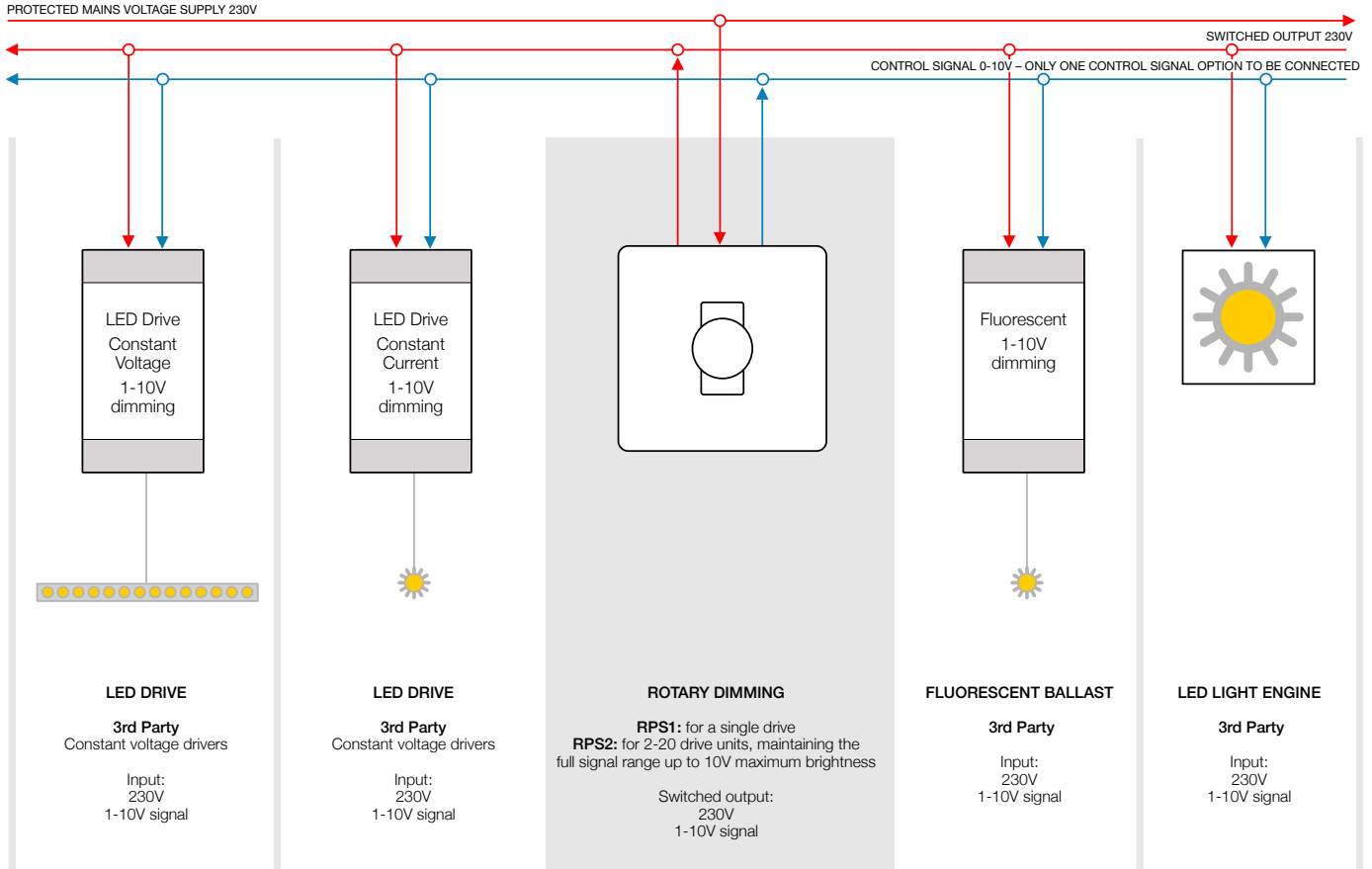
In addition push on/push off action of the control knob provides on/off switching of mains power (2-core mains cable + earth if required) or changeover switching (3-core mains cable + earth if required) for 2 way mains switching.

Setting minimum and maximum brightness

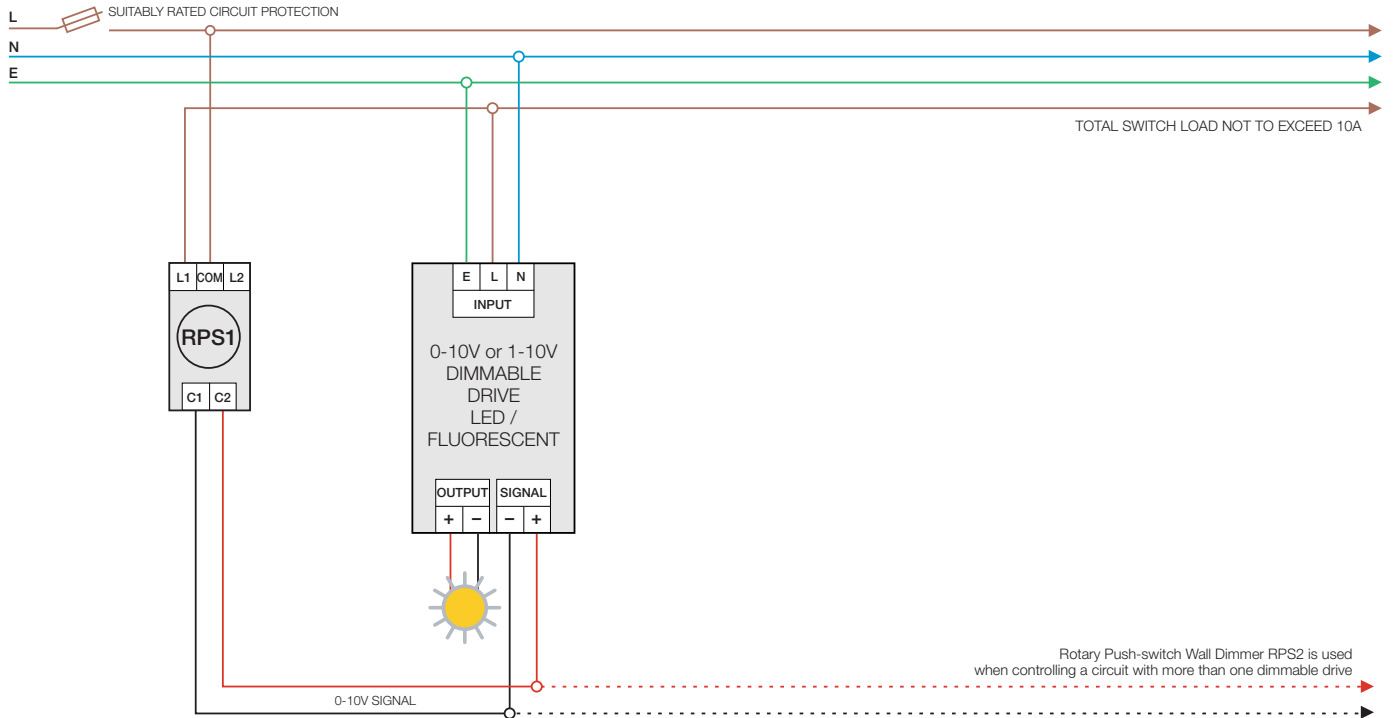
Easy access minimum and maximum brightness screwdriver presets set the dimming range covered by the rotary control. Set the minimum preset first: setting the maximum will not affect minimum setting. Brightness levels are not affected by temperature changes around the module.



Rotary Push-Switch Wall Dimmer RPS related product options



One-way switching and dimming of drive units

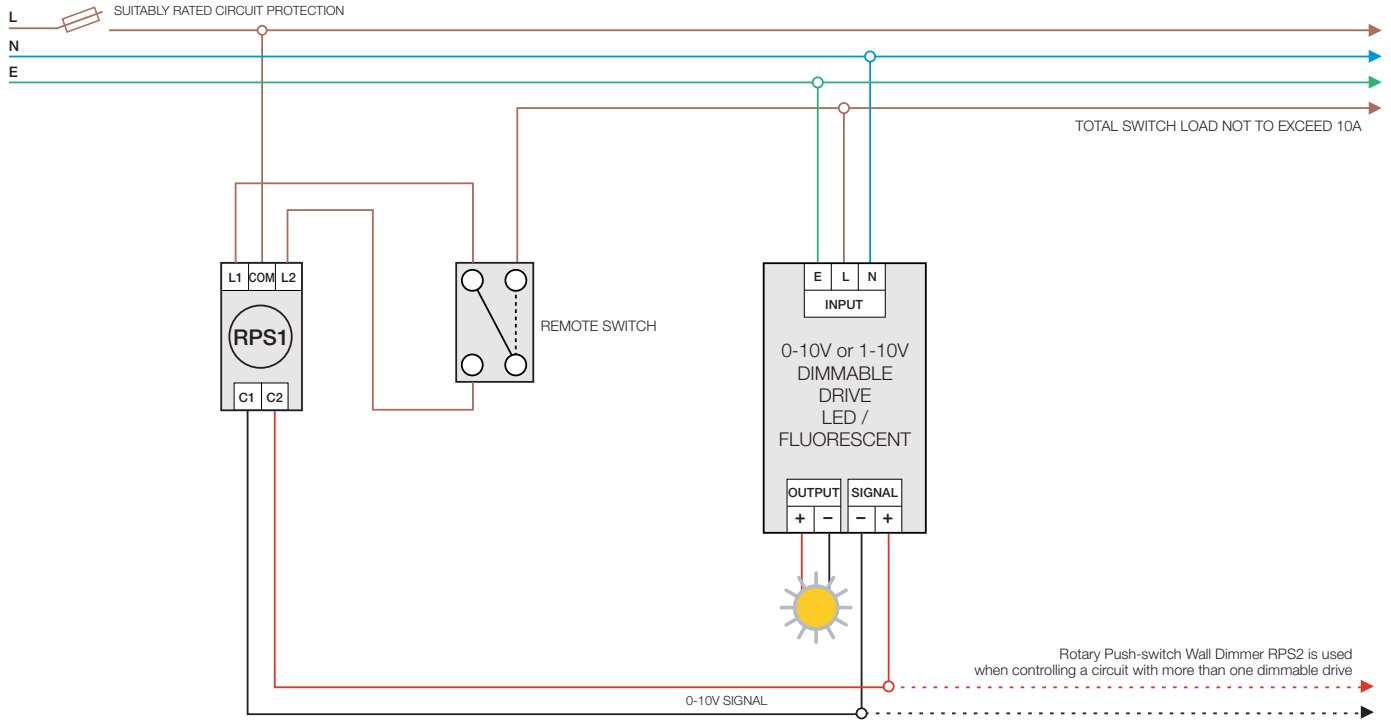


DRAWING NOT TO SCALE WD-RPS-DRIVE1. ISS-1-0116



Two-way switching and dimming of drive units

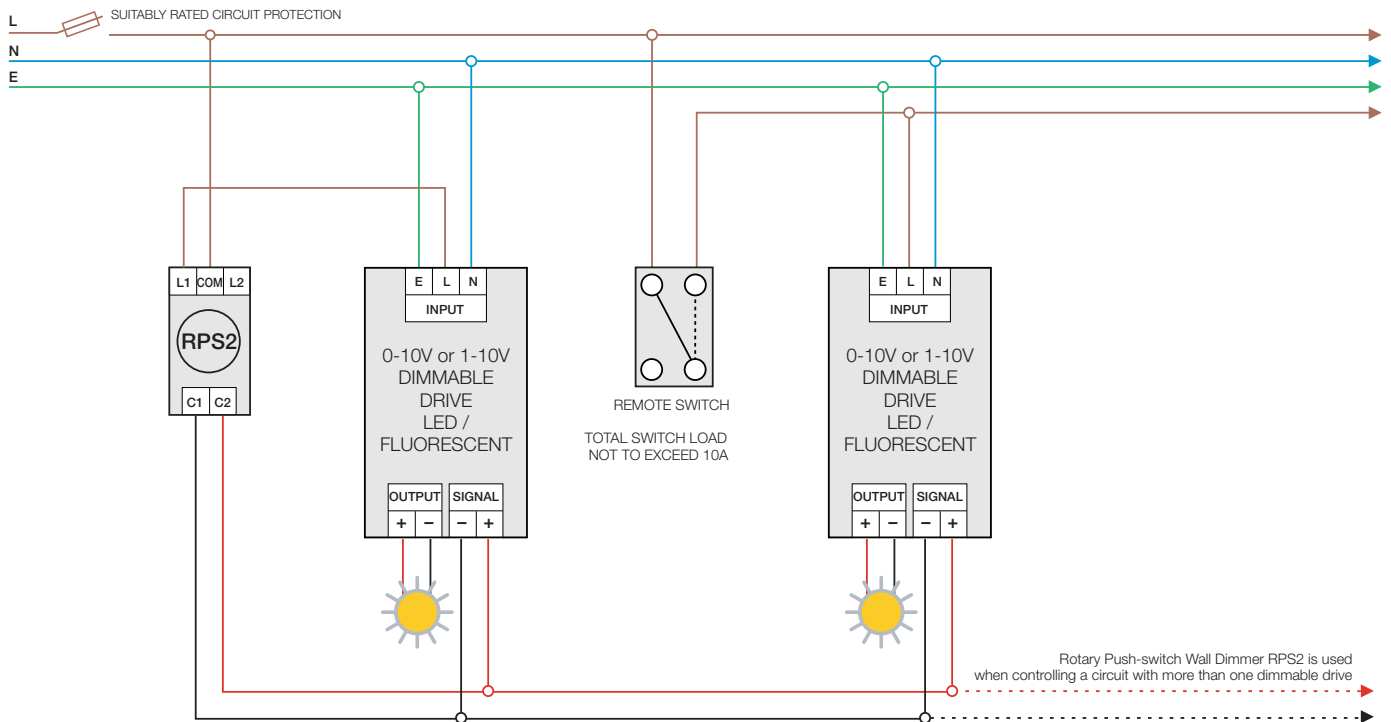
Expansion to multi-way switching by connection of intermediate switch



DRAWING NOT TO SCALE WD-RPS-DRIVE2. ISS-1-0116

Individual switching and dimming of drive units

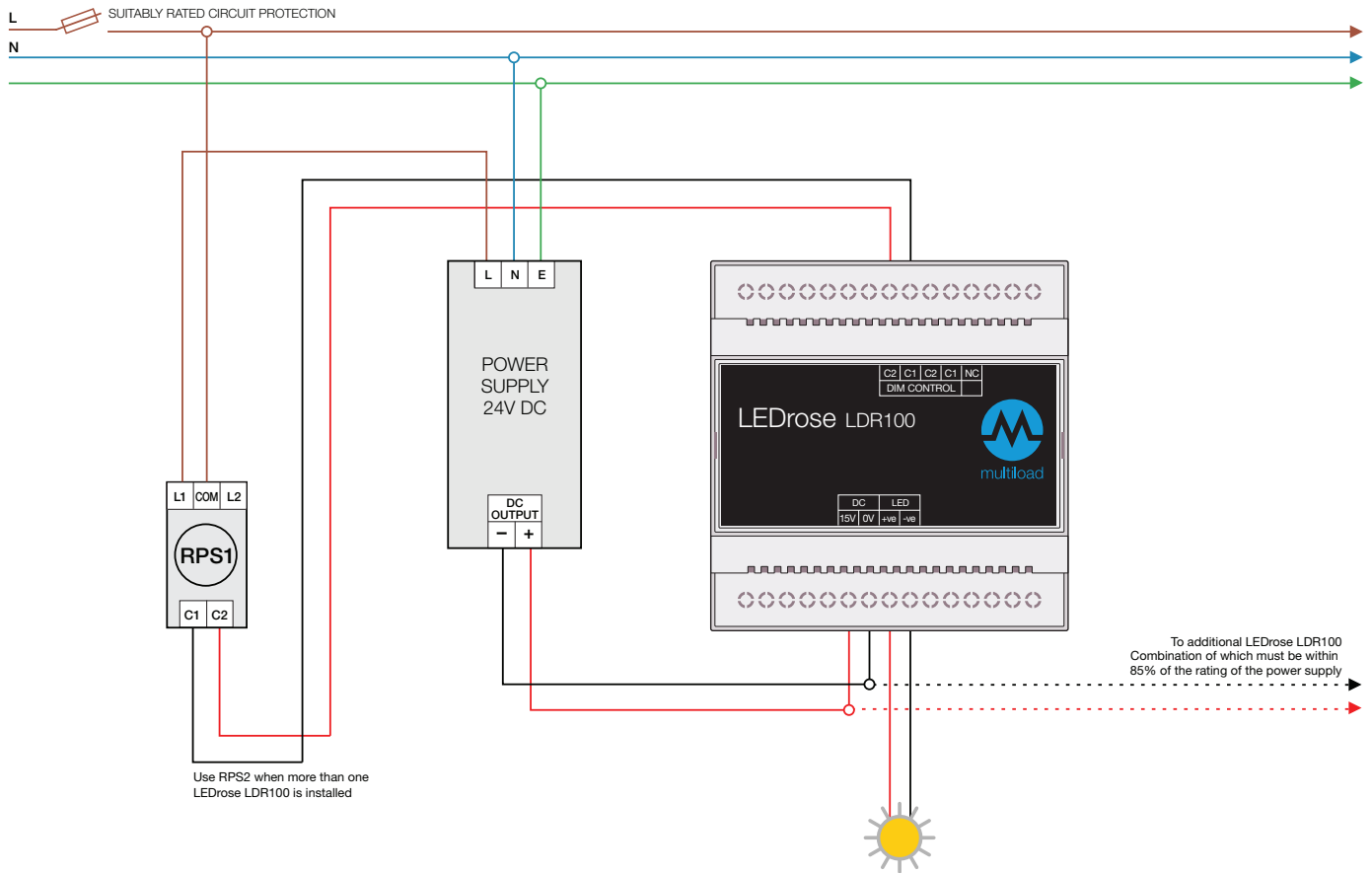
Drive units on same 0-10V or 1-10V signal can be individually mains-switched (without affecting brightness)



DRAWING NOT TO SCALE WD-RPS-DRIVE3. ISS-1-0116



Rotary Push-switch Wall Dimmer RPS wired to LEDrose LDR100



DRAWING NOT TO SCALE WD-RPS-LDR100. ISS-2-0117