



multiload

DALI Rotary Wall Dimmer MDR100

Rotary dimming and switching
of DALI Broadcast installations.

Fits standard plate and grid systems including Wandsworth,
MK, Focus sb, Hamilton, Scolmore.

For manufacturers not listed, including Forbes & Lomax,
please call Multiload.

Contents

Module diagrams

MDR100 Technical specification and installation 2

MDR-PSU Technical specification and installation 3

Wiring diagrams 4

Product order codes

MDR100

Module only without knob

MDR100-MKGP

Fits MK Grid Plus system

MDR-PSU

24V power supply for
MDR100. Supplied with
each unit ordered.

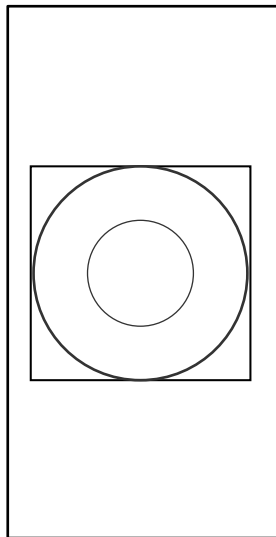


MDR100 Module diagrams

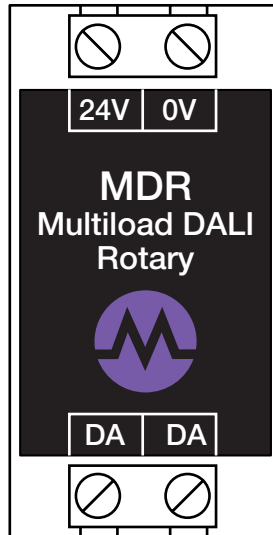
MDR100 and MDR100-MKGP are supplied with a dedicated 24V power supply – MDR-PSU.

MDR100 module

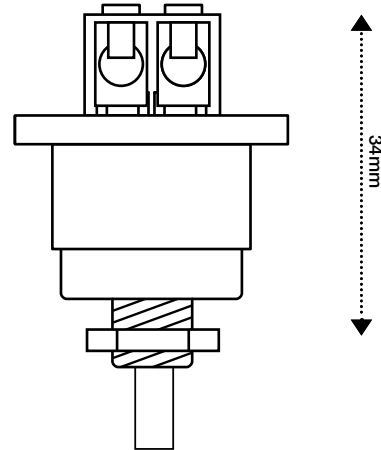
MDR100 module only with fixing ring or nut.



FRONT VIEW



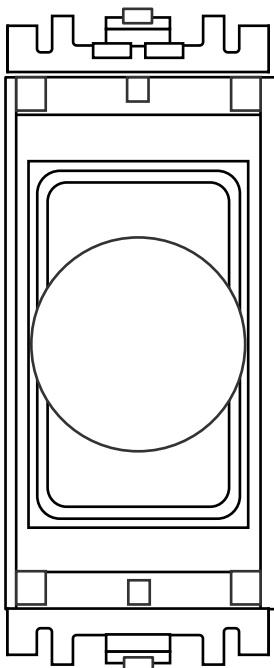
BACK VIEW



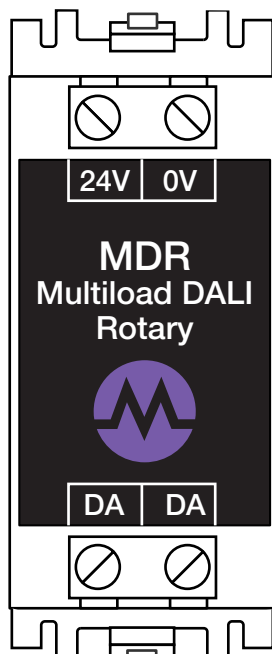
END VIEW AND DEPTH

MDR100-MKGP. Clips into Grid Plus system

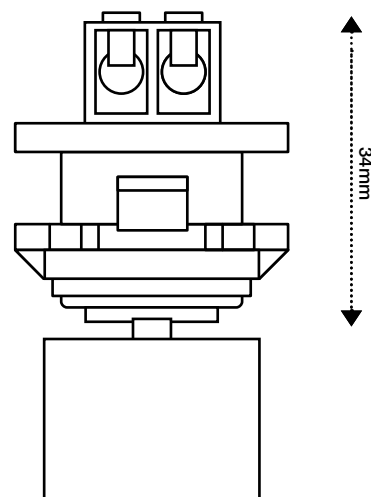
MDR100-MKGP supplied built into white plastic MK Grid Plus module which clips into MK Grid Plus system. Supplied with MDR100



FRONT VIEW



BACK VIEW



END VIEW AND DEPTH



Technical specification and information

MDR100 – DALI Rotary Wall Dimmer

Functions

DALI Rotary Wall Dimmers MDR100 provide digital dimming and switching of control gear accepting digital signals such as DALI™ broadcast installations.

Installation

Installation should be carried out by suitably qualified personnel in accordance with good electrical practice and the appropriate national wiring regulations.

Isolate mains electrical supply before commencing installation.

MDR100 should only be used for interior installations in dry locations with suitable surface plates fitted.

If these products are installed close to mains powered device(s), care must be taken to ensure suitable isolation is achieved.

Technical specification

Electrical

Supply voltage: 24V DC

Supply current: <40mA

Drive capability: Up to 20 drives

Signal output: DALI broadcast signal

Environmental

Ambient temperature: -10°C – +50°C.

Less than 95% rh non-condensing.

Terminals: DA- / DA+

Low voltage digital output signals.

Terminals: 24V / 0V

24V to be connected to the positive output of a 24V DC power supply and 0V to be connected to the negative output of the 24V power supply.

Physical data

Knob: Diameter: 20mm H:13mm (MK version only)

Fixing: Bush 10mm

Shaft: 6mm

MDR-PSU 24V DC Power Supply for MDR100

Installation

Installation should be carried out by suitably qualified personnel in accordance with good electrical practice and the appropriate national wiring regulations.

Isolate mains electrical supply before commencing installation.

MDR-PSU should only be used for interior installations in dry locations.

Technical specification

Electrical

Supply voltage: 240V AC

Output: 24V DC

Output current: 0–0.33A

Rated power: 8W

Terminals: SEC + -

24V DC supply for MDR100.

Terminals: 240V Live, Neutral

Environmental

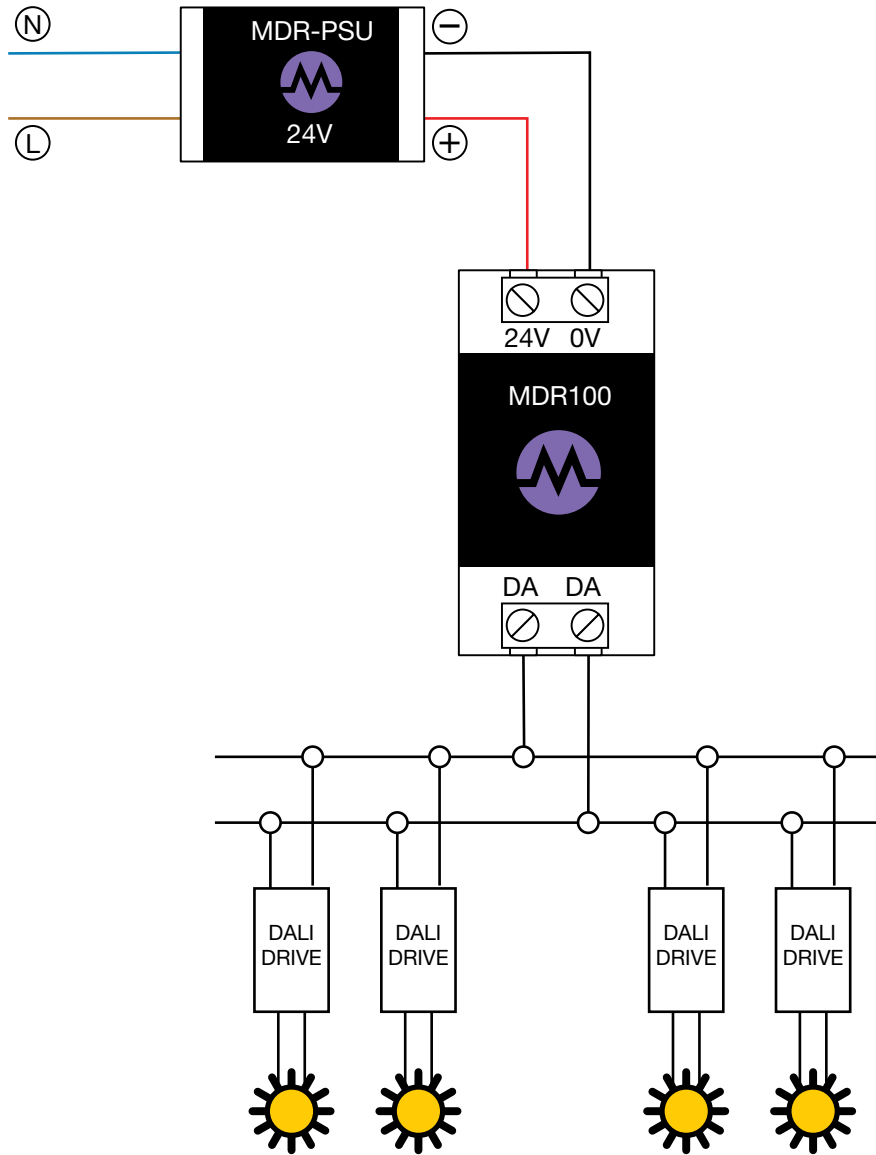
Ambient temperature: max 45°C.

Physical data

Dimensions: W:32mm D:20mm L:65mm



MDR100 wiring diagram



DRAWING NOT TO SCALE.
WD-LDX100-RPS. ISS-2-0117